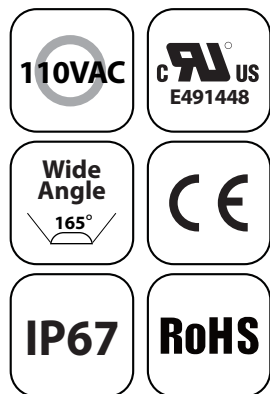
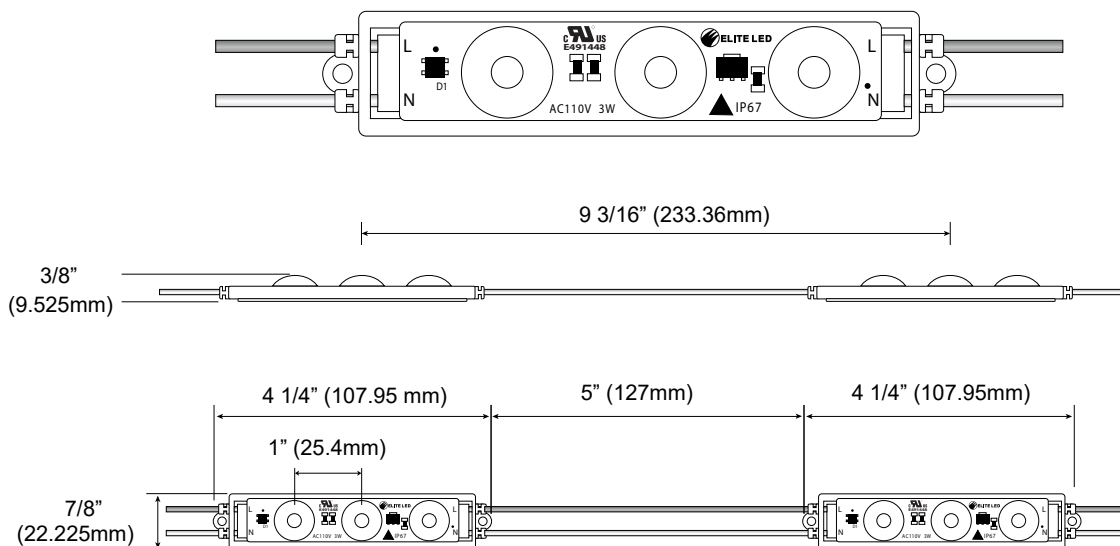


Characteristic



- High Luminous Efficacy LED Module Solution for Signage and Cabinets
- Fully integrated 165° optical lens for wide and evenly distributed light
- Surface mount on aluminum substrate, good thermal conductivity and electrical insulation performance provides great weather protection (IP67)
- Secure and easy fastening with genuine double coated tissue 3M adhesive
- Lifetime of more than 45,000 hours (L70)
- High strength ABS plastic body for harsh environments
- Electrical and material safety certified (UL, CE and RoHS Certificates)

Physical



Optical Characteristic

Color	Power Consumption (Watt)	Forward Voltage (VAC)	CCT (Kelvin) & Dominant Wave Length	Luminous Flux(lm)	Viewing Angle
			Typical	Typical	2Θ _{1/2}
White	3.0W	110V	7,500K	350	165

Electrical Characteristics

Power consumption : 3.0W
 Operating power : 110Vac
 Quantity for maximum connection in serial : 100 modules

Thermal

Operating temperature : -20~60°C
 Storage temperature : -40~80°C

Waterproof Rating

IP67 : Complete protection against water and ingress of dust and airborne particles.

Construction

LED type : SMD2835
 Case materials : ABS
 Cable : UL 24AWG 600V/105°C

Approval

UL Certified E491448

Wiring Guide

