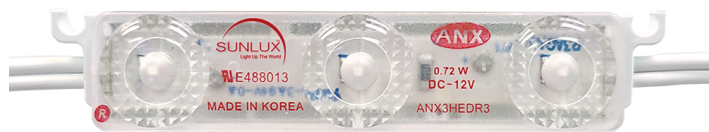
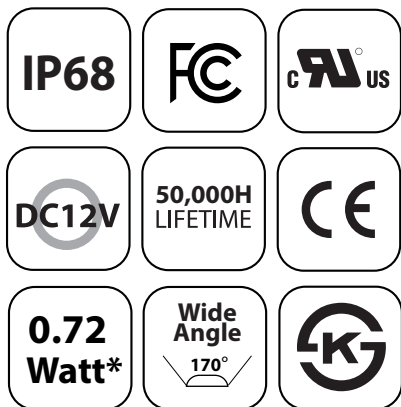


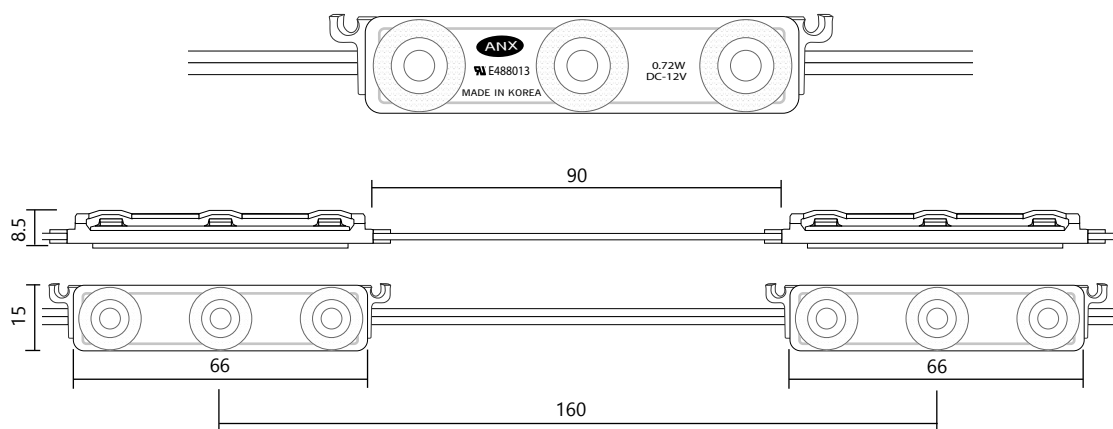
Characteristic



· **Recommended for channel letter. 3" to 8" from LED to face**

- Most Preferred Best Seller LED Module Solution (CE, UL Certified)
- Specialized lens covered design for perfect humid & waterproof (IP68)
- High luminosity & compact design
- Guaranteed life time up to 50,000 hours  
\*24 hour constant load may result less operating hours with lower lighting output. Estimated lifetime is based on normal usage
- SMD LED mounted (Made in Korea)
- Slight current drop through wire to wire connection(vs soldering)
- 170° viewing angle creates more uniform backlighting effects and better silhouettes
- Quality and reliability assured

Physical



Optical Characteristic

Color	Luminous Flux(lm)	Wavelength(nm)	Viewing Angle
	Typical	Typical	2Θ <sub>1/2</sub>
Red	15.9	625nm	170
Green	15.9	525nm	170
Blue	15.9	465nm	170
Amber	15.9	595nm	170

**Electrical Characteristics**

Current dissipation : 60mA  
 Power consumption : 0.72W  
 Operating power : 12V  
 Quantity for maximum connection in serial : 50 modules  
 Electronic dimmable controller supported

**Thermal**

Operating temperature : -25~60°C  
 Storage temperature : -40~80°C

**Waterproof Rating**

IP68 : Complete protection against dust ingress and water

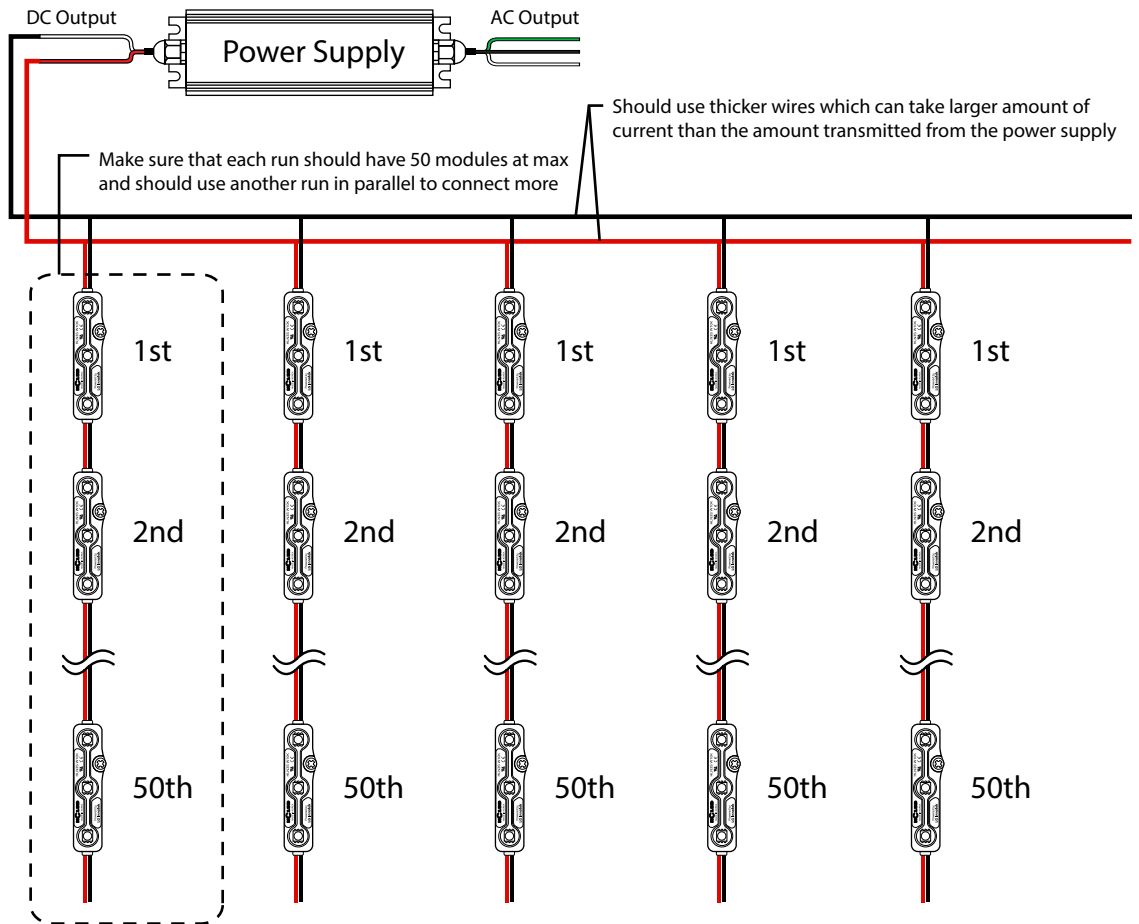
**Construction**

LED type : SMD2835  
 Case materials : ABS, UL-94  
 Cable : UL 18AWG

**Approval**

UL Certified E488013

**Wiring Guide**



**Wiring Guide**

		Power Supply						
		30watt	60watt	100watt	120watt	150watt	200watt	
ANX3WA72-R	Qty(pcs)	35	70	110	135	165	220	
	0.72Watt	Length(ft)	17.5	35	55	67.5	82.5	110

Specifications subject to change without notice